

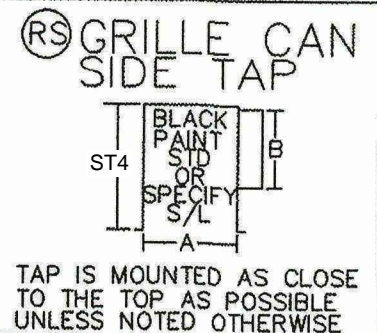
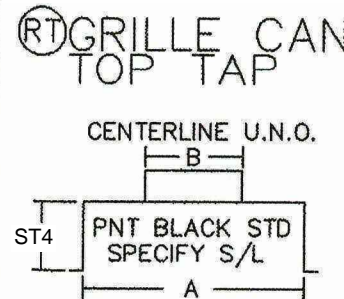
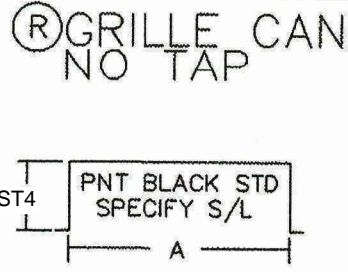
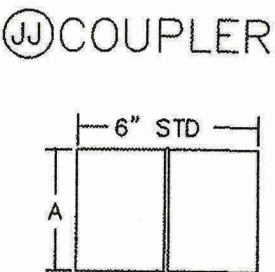
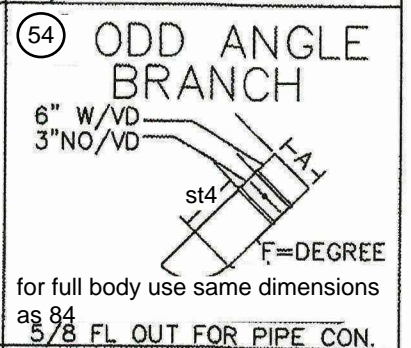
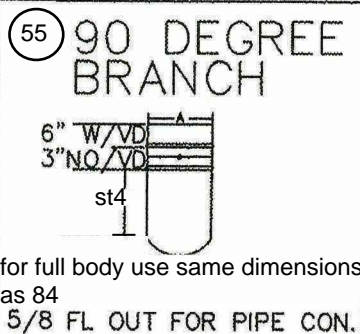
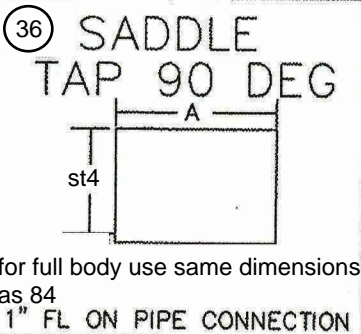
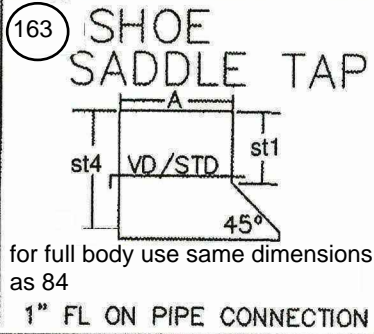
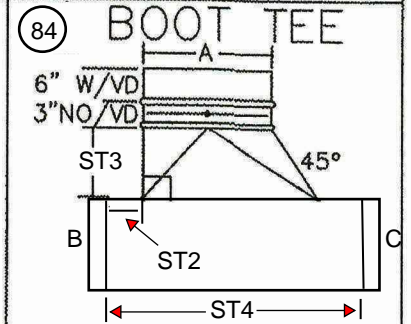
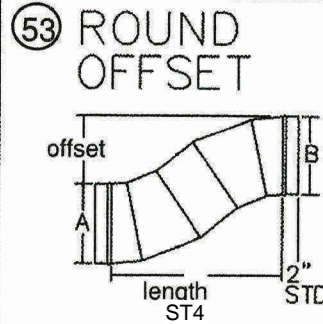
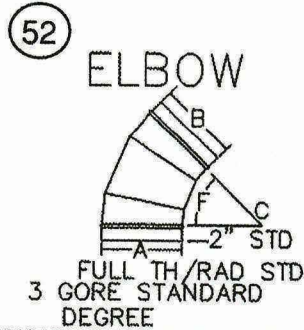
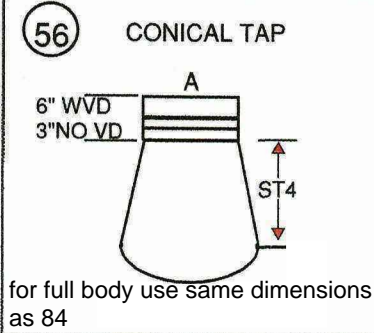
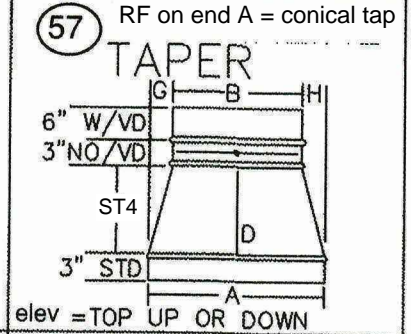
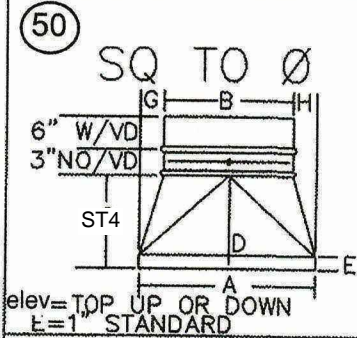
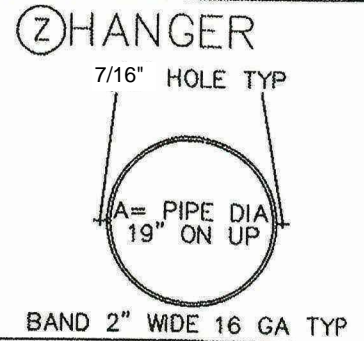
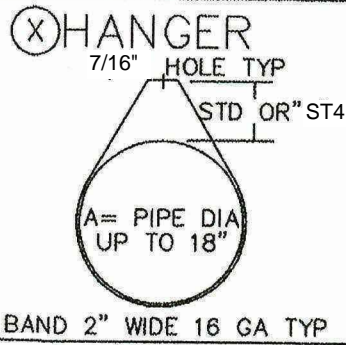
APOLLO MECHANICAL

PHONE(509)586-1104

NOTE:
ALL SPIRAL
PIPE 10 FT
LONG U.N.O.

(R) SPIRAL
RING
ACCU-FLG

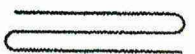

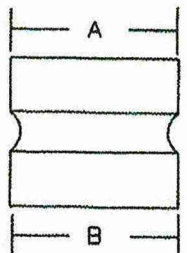
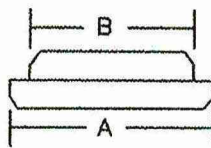
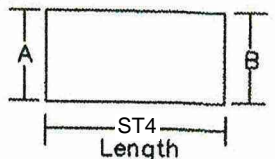
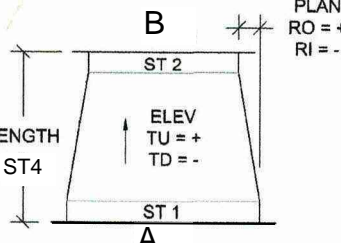
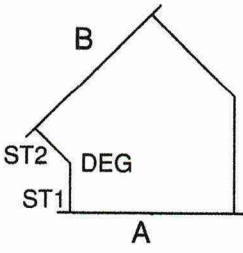
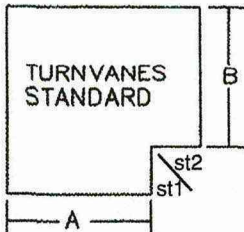
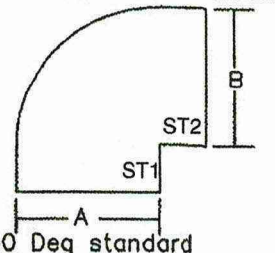
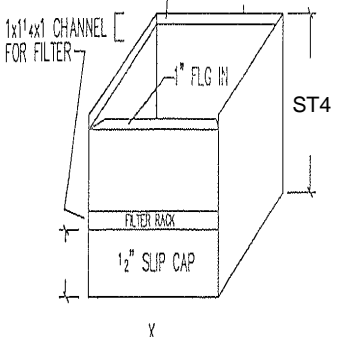
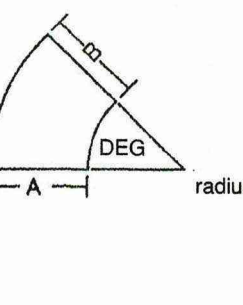
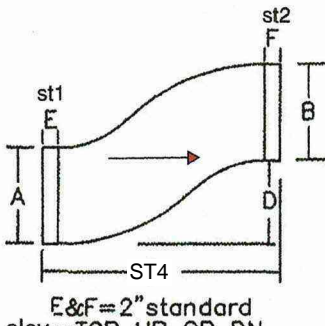
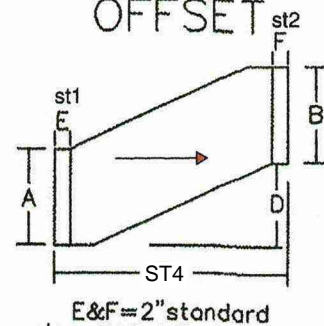
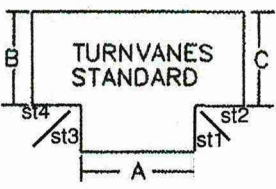
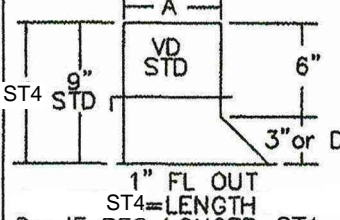
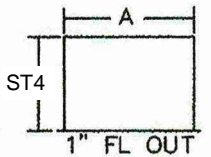
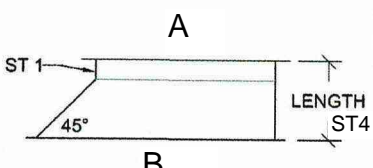
(SE) SMALL END
(LE) LARGE END



*ALL FOR 0" TO 2" P/C UNLESS NOTED OTHERWISE

APOLLO MECHANICAL

PHONE(509)586-1104

<p>(S) </p> <p>(D) </p> <p>(3) 3/4" FLNGE</p> <p>(4) 1" FLANGE</p>	<p><u>NOTE:</u> ALL LENGTHS ARE DRIVE TO DRIVE OR FLANGE TO DRIVE</p>	<p>(SE) SMALL END</p> <p>(LE) LARGE END</p> <p>TDF = FLANGE</p> <p>(SR) DUCTMATE SENIOR</p>	<p>END CAPS</p> <p>(T) S&D</p> <p>(TT) TDF</p> <p>(TTT) SLIP CAP</p>
<p>VD= VOLUME DAMPER</p> <p>SPECIFY QUAD SIZE AND LINER</p>	<p>(S) FLEX</p> 	<p>(Q) QUICK CHANGE</p> 	<p>(O) SQ DUCT</p>  <p>TDC=56.25" std length S&D=59" standard length D/M=60" standard length</p>
<p>(12) all transition's</p> 	<p>(3)</p> 	<p>1or 1v with vanes</p> 	<p>(2) SQ TH ELL</p>  <p>90 Deg standard Degree if other than 90</p>
<p>(FR)</p> <p>3/4"x3/4" STANDING S THREE SIDES</p> 	<p>(4) radius elbow</p> 	<p>(6) OG OFFSET</p>  <p>E&F=2" standard elev = TOP UP OR DN</p>	<p>(9) MITERED OFFSET</p>  <p>E&F=2" standard elev = TOP UP OR DN</p>
<p>(5) or 5V with vanes TEE BRANCH</p> 	<p>(16A) BRANCH TAP</p>  <p>1" FL OUT ST4=LENGTH D= IF REQ LONGER=ST1</p>	<p>(17) STRAIGHT TAP-IN</p> 	<p>(16) = 6" STD LENGTH</p> 

*IF CUSTOM FITTING IS REQ'D SPECIFY WHATS REQ'D